

## HANDMADE FROM THIS PLAN >>

Projects built from this plan. Thank you for [submitting brag posts, \(http://ana-white.com/node/add/brag-post\)](http://ana-white.com/node/add/brag-post) it's appreciated by all!

Like 19

### Author Notes:

So cute . . . !

### Shopping List:

12 feet of 1x6 whitewood boards

30" of 1x4 whitewood boards

3 hooks

1 - chalkboard 31 1/2" x 18 1/4" (Make your own from hardboard and chalkboard paint)

Heavy duty picture hanging kit

Either pocket hole screws or nails as noted below.

1 1/4 inch finish nails

2 inch finish nails

[1-1/4" Pocket Hole Screws \(http://www.amazon.com/gp/product/B0006444U2/ref=as\\_li\\_tl?ie=UTF8&camp=1789&creative=390957&creativeASIN=B0006444U2&linkCode=as2&tag=knooffwoo-20&linkId=5AJJGUAWGYX2TT7E\)](http://www.amazon.com/gp/product/B0006444U2/ref=as_li_tl?ie=UTF8&camp=1789&creative=390957&creativeASIN=B0006444U2&linkCode=as2&tag=knooffwoo-20&linkId=5AJJGUAWGYX2TT7E)

[Elmer's Wood Glue \(http://elmers.com/diy\)](http://elmers.com/diy)

[Elmer's Wood Filler \(http://elmers.com/products/wood-filler-and-other-repair?filters=construction#\)](http://elmers.com/products/wood-filler-and-other-repair?filters=construction#)

120 grit sandpaper

primer

paint

paint brush

**Tools:**

measuring tape

square

pencil

safety glasses

hearing protection

[Kreg Jig \(http://www.kregtool.com/files/anawhite/anawhite.asp\)](http://www.kregtool.com/files/anawhite/anawhite.asp)

[Drill \(https://www.ryobitools.com/power-tools/products/details/537\)](https://www.ryobitools.com/power-tools/products/details/537)

[Jigsaw \(https://www.ryobitools.com/power-tools/products/details/612\)](https://www.ryobitools.com/power-tools/products/details/612)

[Brad Nailer \(https://www.ryobitools.com/power-tools/products/details/552\)](https://www.ryobitools.com/power-tools/products/details/552)

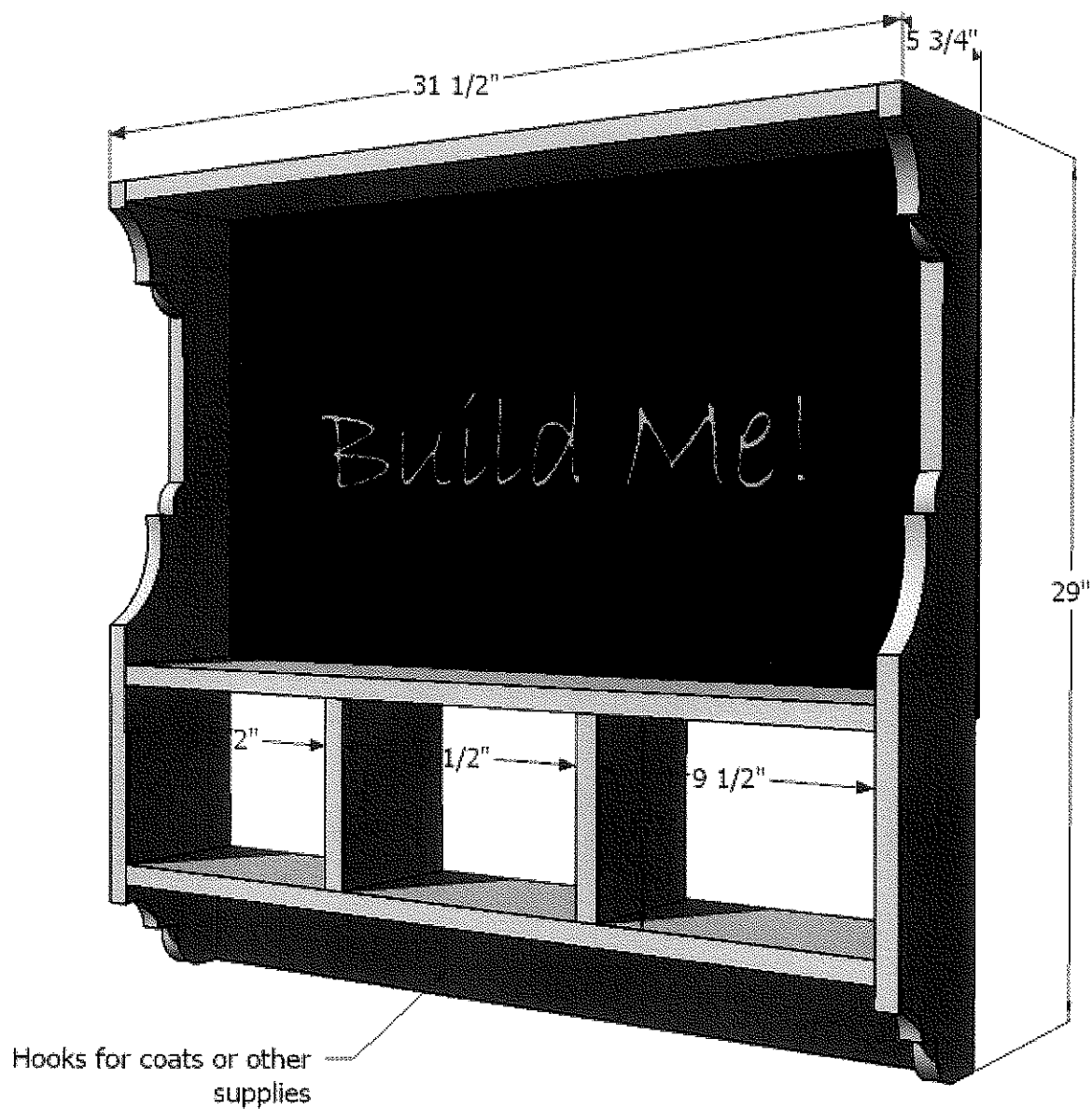
[Random Orbital Sander \(https://www.ryobitools.com/power-tools/products/details/187\)](https://www.ryobitools.com/power-tools/products/details/187)

Level

**General Instructions:**

Please read through the entire plan and all comments before beginning this project. It is also advisable to review the Getting Started Section. Take all necessary precautions to build safely and smartly. Work on a clean level surface, free of imperfections or debris. Always use straight boards. Check for square after each step. Always predrill holes before attaching with screws. Use glue with finish nails for a stronger hold. Wipe excess glue off bare wood for stained projects, as dried glue will not take stain. Be safe, have fun, and ask for help if you need it. Good luck!

**Dimensions:**



Dimensions are shown above.

**Cut List:**

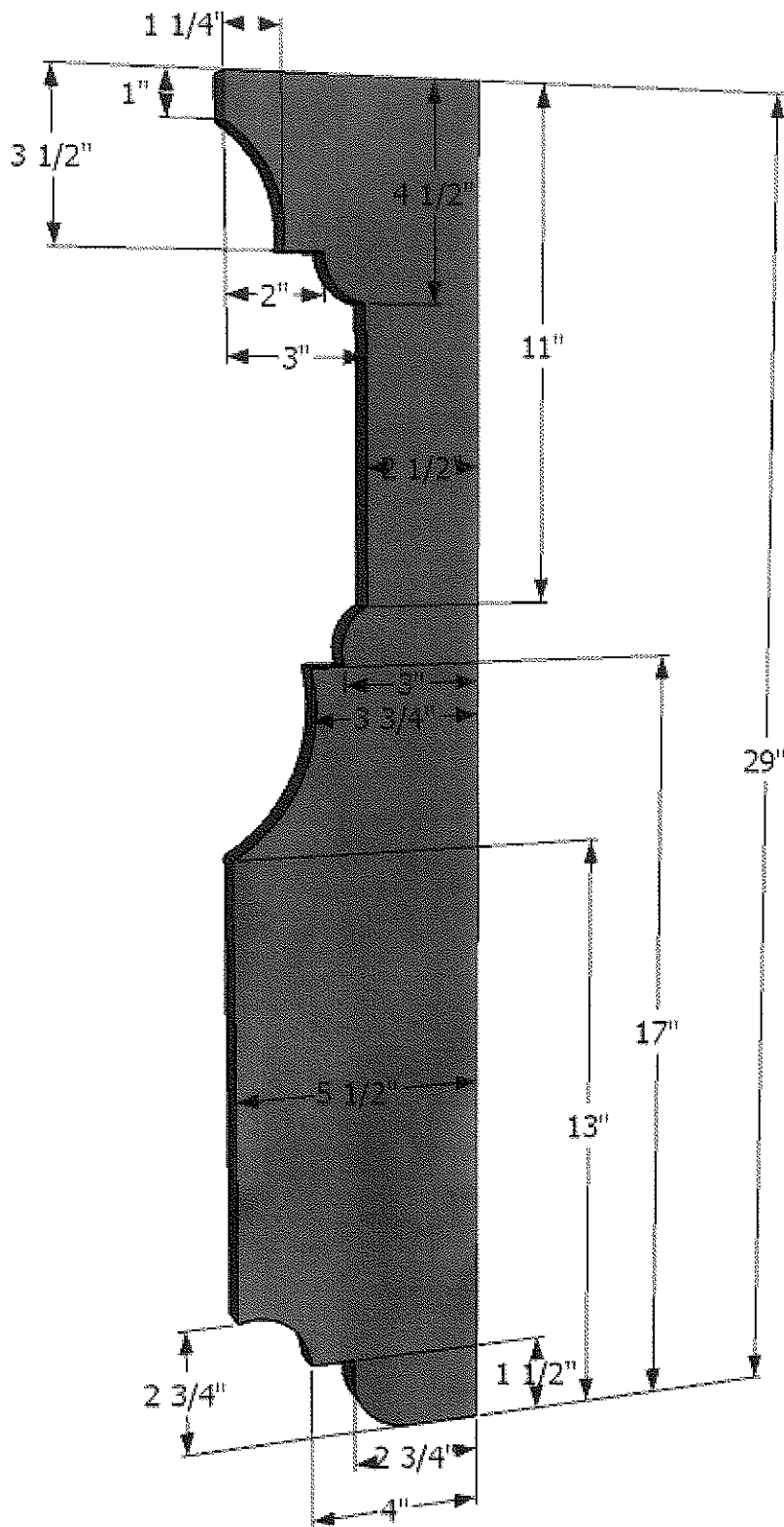
2 - 1x6 @ 29" (Sides)

1 - 1x4 @ 30" (Bottom)

3 - 1x6 @ 30" (Shelves)

2 - 1x6 @ 6 1/2" (Cubby Dividers)

1 - chalkboard @ 31 1/2" x 18 1/4" (make your own with a piece of hardboard and chalkboard paint)

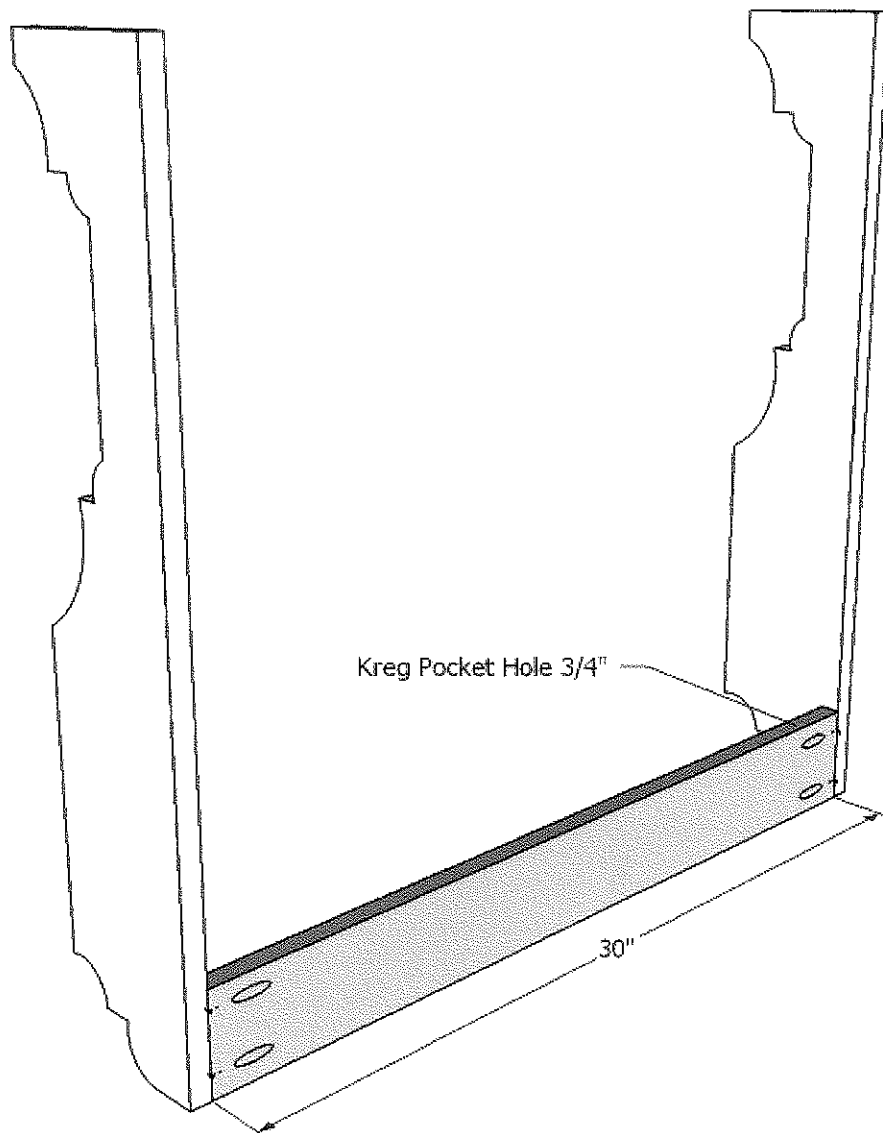


**Step 1:**

This is definitely the hardest step - getting the sides cut to match. Carefully measure and transfer the pattern to your 1x6 sides and cut out with a jigsaw. Sand edges until even and matching.

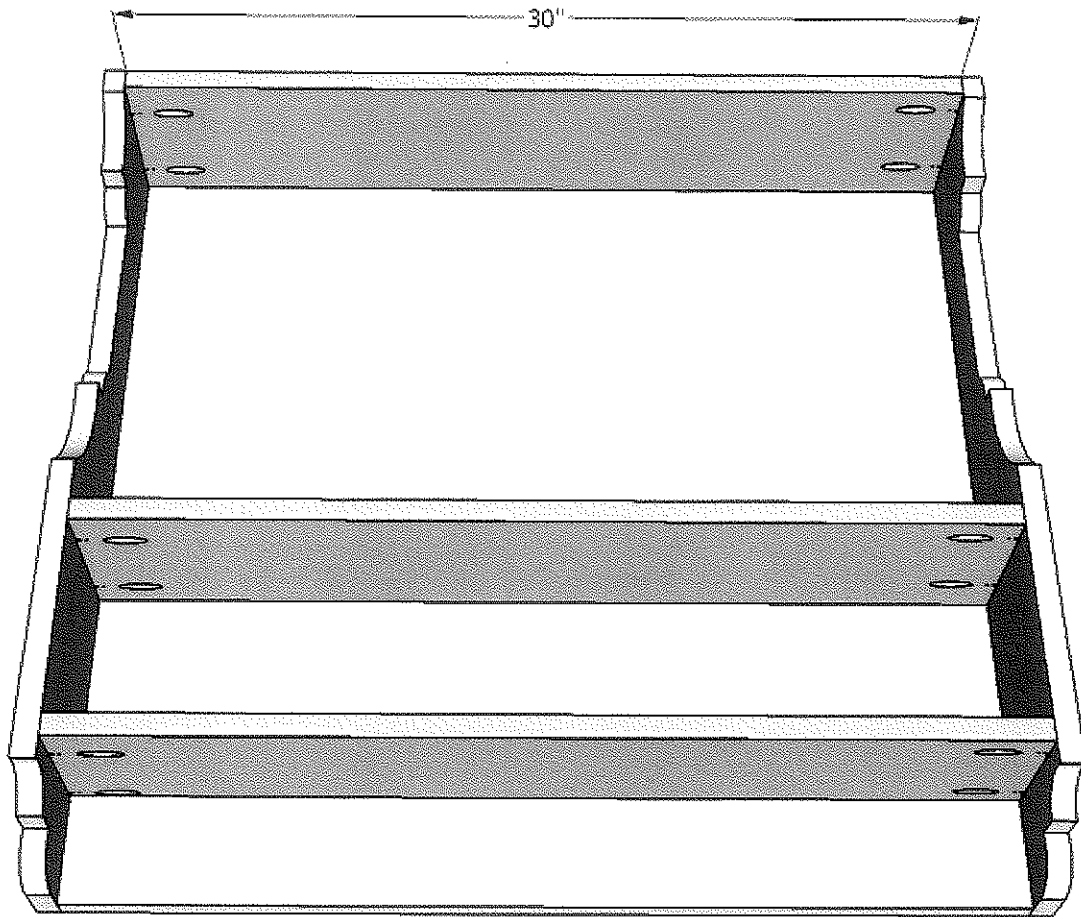
TIP: Clamp two ends together and sand as one to remove all rough edges and differences between

sides.

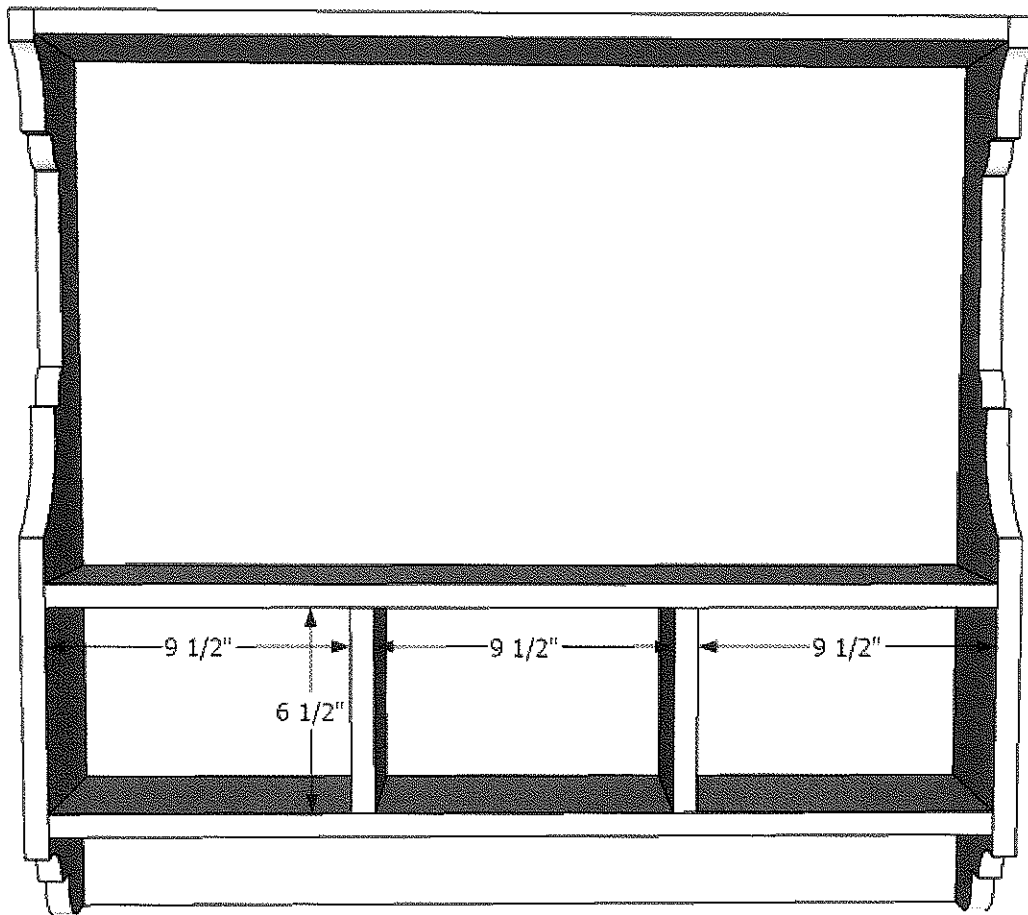


**Step 2 Instructions:**

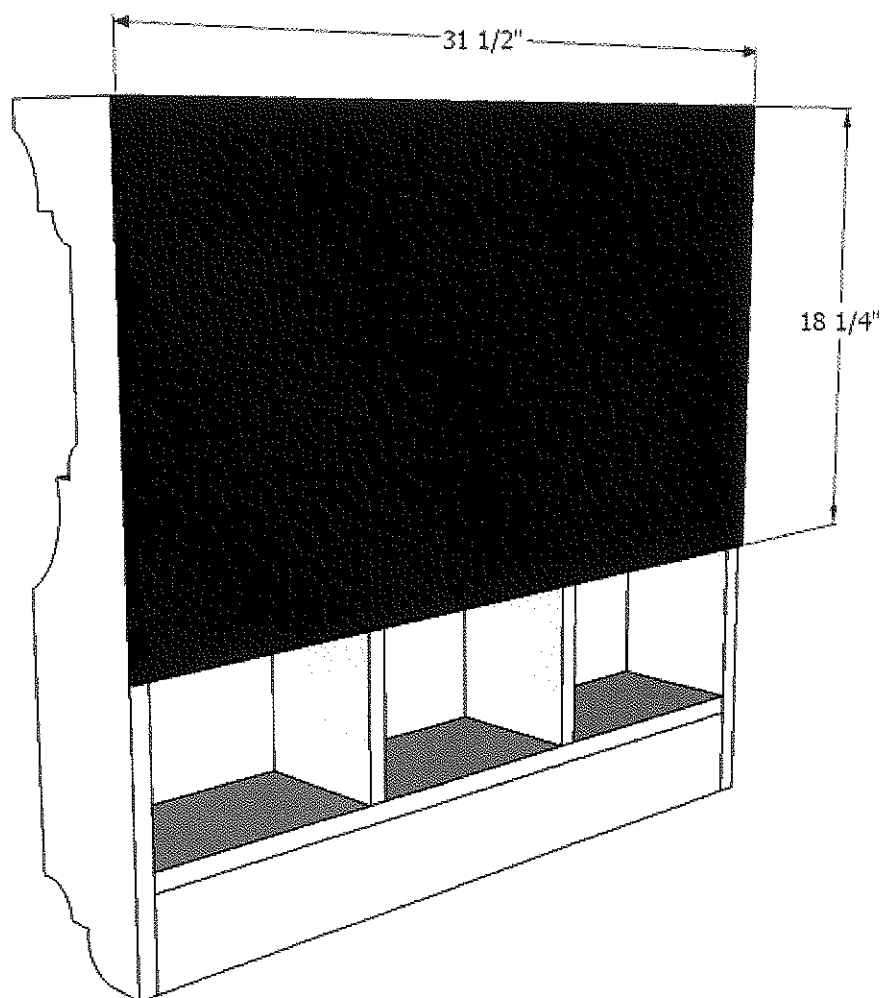
Attach two sides together with the bottom as shown above either with 1 1/4" pocket hole screws or 2" finish nails and wood glue from outsides.

**Step 3 Instructions:**

Now the shelves, same joinery technique. The middle shelf needs to sit  $10 \frac{3}{4}$ " up from the bottom of the sides. Fit the cubby dividers in (next step) to guide you in placing middle shelf.

**Step 4 Instructions:**

Add the cubby dividers with 2" finish nails and wood glue from top and bottom. You may wish to finish the wood frame at this step before adding the chalkboard.

**Step 5 Instructions:**

Tack chalkboard on to back with 1 1/4" finish nails and wood glue. Be careful not to get wood glue on chalkboard.

**Preparation Instructions:**

Fill all holes with wood filler and let dry. Apply additional coats of wood filler as needed. When wood filler is completely dry, sand the project in the direction of the wood grain with 120 grit sandpaper. Vacuum sanded project to remove sanding residue. Remove all sanding residue on work surfaces as well. Wipe project clean with damp cloth. It is always recommended to apply a test coat on a hidden area or scrap piece to ensure color evenness and adhesion. Use primer or wood conditioner as needed.

**Project Type:**

[shelves \(/category/plans/project-type/shelves\)](/category/plans/project-type/shelves), [Wall Art \(/category/plans/project-type/wall-art\)](/category/plans/project-type/wall-art), [Wall Projects \(/category/plans/project-type/wall-projects\)](/category/plans/project-type/wall-projects)